

LEGUAN 135 NEO

Leguan 135 NEO main features

- Easy to operate
- All key functions are controlled with a single joystick
- Max. work cage load 250 kg
- Automatic outreach monitoring system, allowed outreach is dependant on the work cage load
- Automatic and manual leveling
- Booms can be operated automatically to transport position
- Available with tracks or 4WD
- Excellent off-road driving capabilities
- New XY-function: The distance of the work cage to the wall is automatically kept same (within allowed working area)
- Tailored trailer available (option)
- Battery powered version available during 2019



All key functions with a single joystick



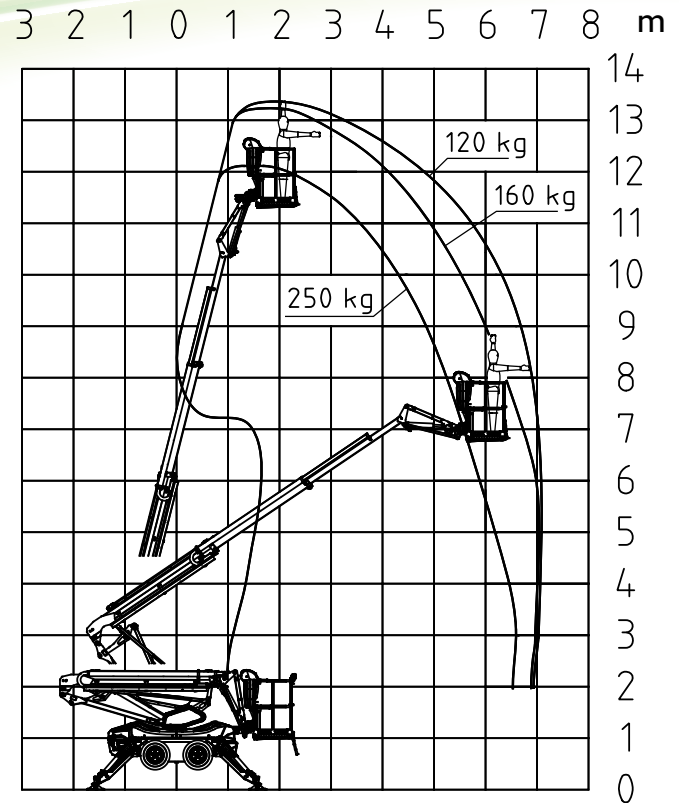
Width 890 mm (without cage)



135 NEO

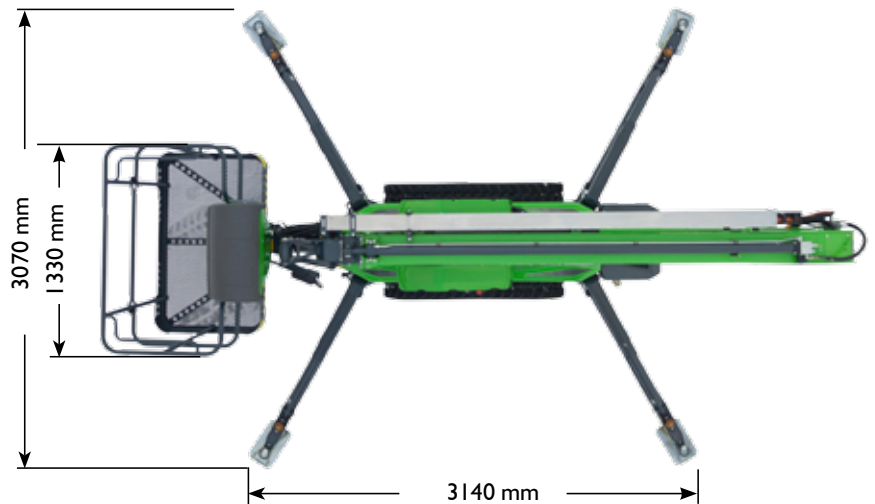
Easy to operate and service-friendly

	LEGUAN 135 NEO
Max. work cage load	250 kg / 2 persons
Max. working height	13.40 m
Max. platform height	11.40 m
Max. outreach	6.6 m (250 kg) / 7.1 m (120 kg)
Transport length	4550 mm
Platform dimensions W x L	1.33 x 0.75 m
Rotation of basket	80° (±40°)
Slewing	360°
Gradeability	50 % (27 deg.)
Transport height	1940 mm
Outrigger support dimensions	3140 x 3070 mm
Max. slope for outriggers	21 % (12 deg.)
Weight with tracks / tyres	1650 kg / 1650 kg
Power source	Honda 13 hp petrol 230 V / 110 V *
Drive system: hydraulic	4WD Tracks *
Drive speed max.	2.5 km/h

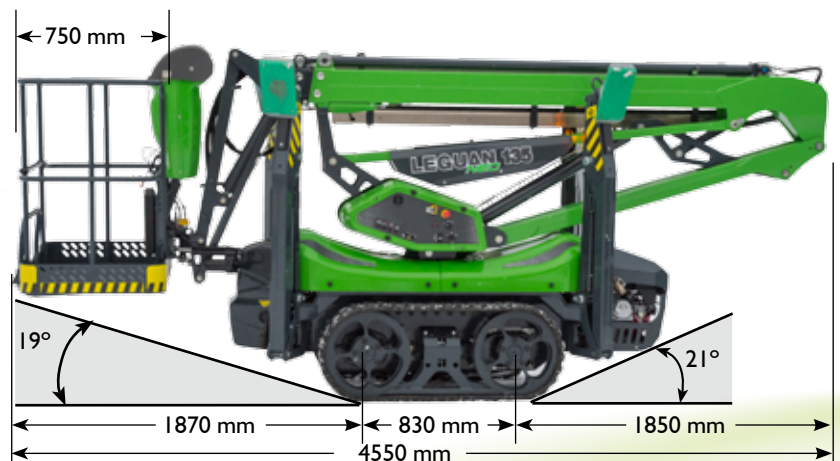
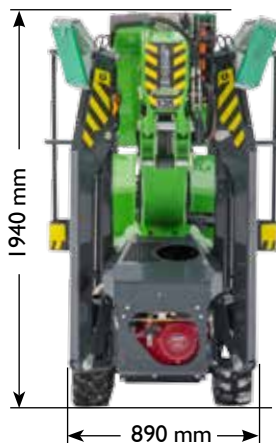


Several optional items available, for example

- Rubber tracks instead of wheels
- Non marking tracks (white)
- Non marking tires
- 230 V electric operation, including electric motor with double hydr. pump
- 230 V sockets at the platform
- XY-operation
- Larger plates with plastic pads
- LED-lights for operating levers
- Outrigger beacons
- LED-work lights at the platform
- Horn
- Safety harness
- Leguan special trailer



Patent pending, application number: 20195111



LEGUAN®

Leguan has a policy of continuing improvement, and retains the right to change specifications without notice. © 2019 LEGUAN Lifts Oy. All rights reserved.

www.leguanlifts.com